

# Prestex

## Installation and Maintenance Instructions – PT5PRV Pressure reducing valve with pressure gauge



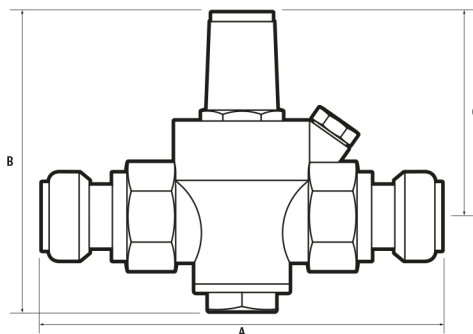
downstream of the PRV to allow replacement or servicing. It is also recommended that this valve is supplied with a y-pattern strainer up stream of the PRV to ensure system debris cannot contaminate the PRV. It is recommended that the strainer mesh in the y-pattern strainer should be inspected and cleaned as part of a servicing program.

### Setting Instruction

To adjust the PRV follow the instructions below:

- 1) Ensure all outlet fittings installed downstream of the PRV are closed (taps etc).
- 2) Remove the dust cap on the top of the valve
- 3) Turn the adjusting screw anti-clockwise to reduce the pressure using a 6mm hexagon key
- 4) Turn the adjusting screw clockwise to increase the pressure 6mm hexagon key.
- 5) A pressure gauge is supplied to help in setting the valve outlet pressure (isolate the valve if attaching after installation).
- 6) Refit the dust cap after adjusting the valve.

### Dimensions



Size	A	B	C
15mm	133mm	93mm	69mm

### Features and Technical Specification

- Pressure Reducing Valve -15mm Tectite complete with 10bar pressure gauge.
- Suitable for temperatures up to 65°C
- Maximum inlet pressure 16bar
- Outlet pressure adjustable between 1bar and 6bar
- Factory preset at 3bar
- Pressure gauge and valve tapping 1/4" BSP
- Body material DZR brass, plain finish
- Ends connections 15mm Tectite
- The valve may be installed in horizontal and vertical pipelines.

### Installation/ Maintenance guidance

Ensure that the Pressure Reducing Valve (PRV) is suitable for the intended application. Check that the valve is installed with the water flowing in the direction as indicated by the body arrow on the valve. It is recommended that the valve is fitted with isolating valves both upstream and

#### TECHNICAL HELP

Free Phone: 0800 156 0050

Email: [technical@aalberts-ips.com](mailto:technical@aalberts-ips.com)

#### Aalberts Integrated Piping Systems Ltd

St. Catherine's Avenue, Doncaster,

South Yorkshire, DN4 8DF

[www.pegler.co.uk](http://www.pegler.co.uk)

